

0782 Load cell, 20t~250t, self restoring rocker pin



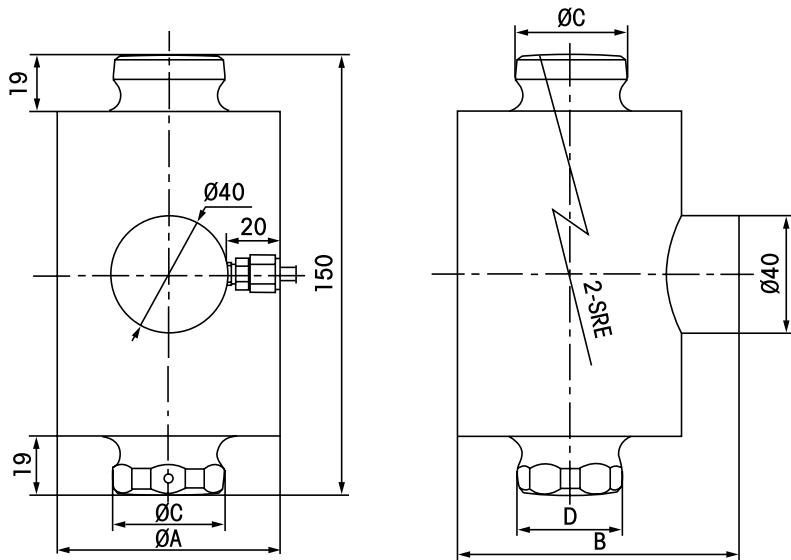
Features:

- OIML R60 C3 approved
- NTEP 10000 III-L approved
- Stainless steel
- Protection class IP68 as hermetically sealed
- Patent rocker pin design for self restoring and anti-rotation
- Low self-weight and easy installation
- Excellent durability
- Available on request of EEx ib IIC T4
- Optionally available with service temperature range up to 200°C (413°F).

Specification

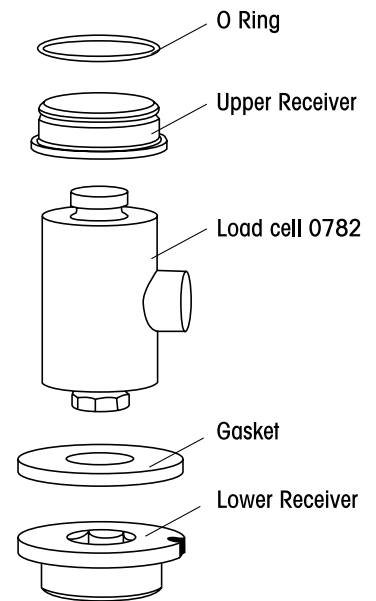
Rated capacity	t	20,30,50,100,200,250
Rated output	mV/V	2 ± 0.002
Non repeatability	%R.C.	≤ 0.01
Hysteresis	%R.C.	≤ 0.02 ≤ 0.04
Non linearity	%R.C.	≤ 0.01 ≤ 0.04
Creep(30min)	%R.C.	≤ 0.02 ≤ 0.03
Zero balance	%R.C.	≤ 1
Temp. Compensated range	°C	-10~+40
Operating temp. Range	°C	-30~+65
Temp. coefficient on output	%Load/°C	≤ 0.002
Temp. coefficient on zero balance	%R.C./°C	≤ 0.002
Input resistance	Ω	1160 ± 10
Output resistance	Ω	1000 ± 3
Insulation resistance	MΩ	5000(50V DC)
Recommended voltage	V(DC/AC)	5~15
Max. excit. voltage	V(DC/AC)	20
Safe overload	%R.C.	125
Ultimated overload	%R.C.	300
Protection class		IP68
Cable length	m	13

- 1) For the cable color code of 0782 load cell please refer to our data sheet SB...
- 2) The date for deviation of non linearity, hysteresis and temperature effect on rated output are typical values, the sum of these data meets the requirements according to OIML R60.
- 3) 0782-200t,250t does not have approvals



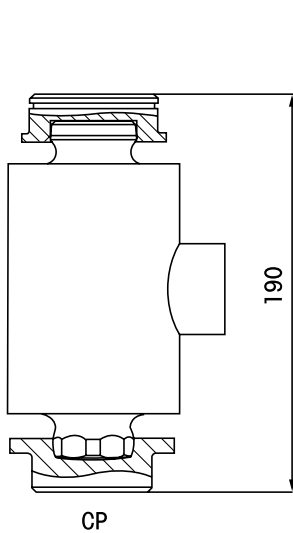
0782 20,30,50,100,200

Capacity(t)	ØA	B	ØC	D	SRE
20,30	76	102	37.8	35.5	160
50	76	102	37.8	35.5	305
100	102	122	53.8	50.6	305
200,250	159	179	80	75.3	300

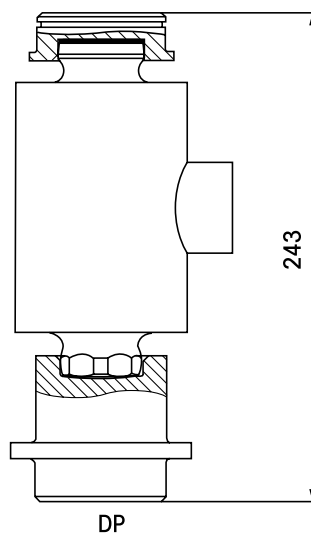


0782-200t,250t does not offer receivers

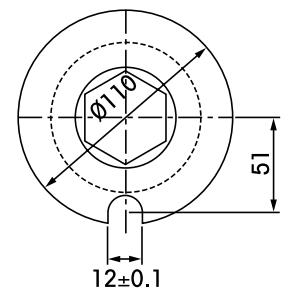
0782 20~100t assembly drawing



Assembly with receiver CP



Assembly with receiver DP



View from the assembly bottom